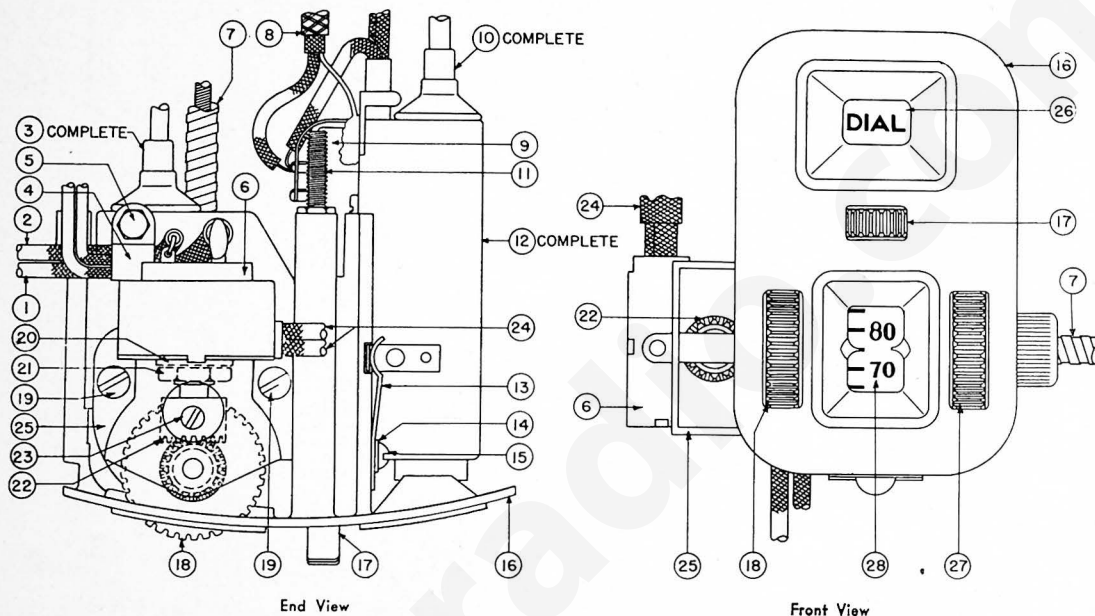


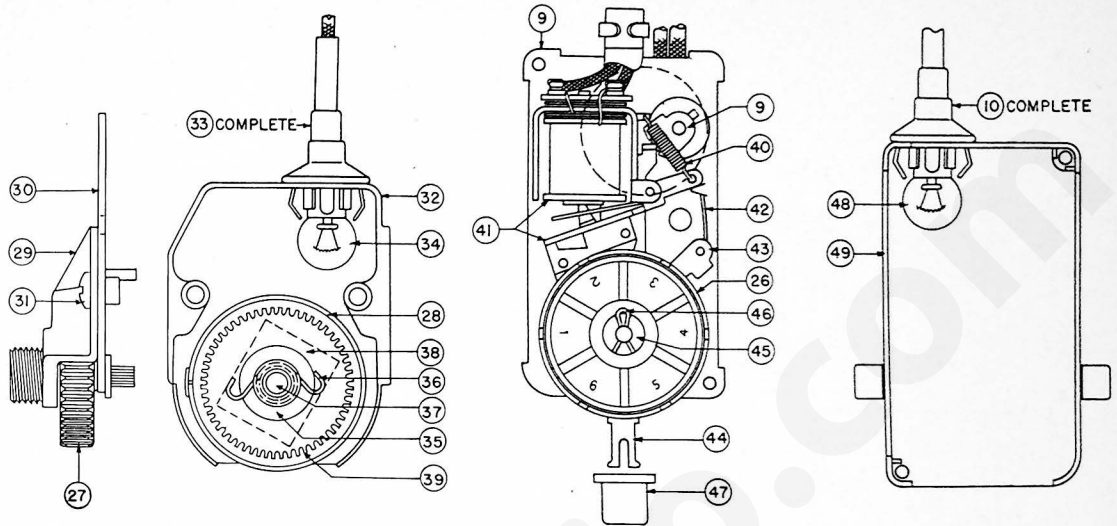
# LINCOLN ZEPHYR CONTROL---MODEL L-1660



## PARTS LIST

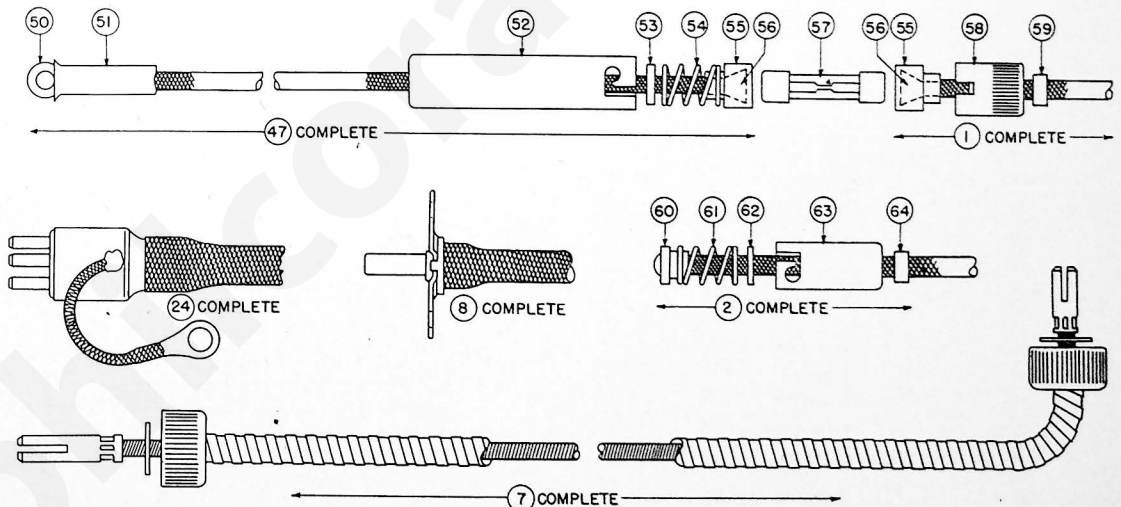
No.	Description	Part No.	No.	Description	Part No.	No.	Description	Part No.
①	"A" Lead	41-3387	⑩	Pilot Lamp Assembly	38-8265	②④	Washer	W181
②	"A" Lead	38-7621	⑪	Stud	57-0493	②⑤	Nut	W684
③	Pilot Lamp Assembly	38-7213	⑫	Station Selector Complete	85-0041	②⑥	Gear	28-7172
④	Clamp	28-2815FA1	⑬	Spring	57-0485	②⑦	Screw	W390
⑤	Screw	W644FA1	⑭	Washer	W874	②⑧	Volume Control Cable	95-0036
⑥	Volume Control and On-Off Switch	67-0009	⑮	Screw	W219FA1	②⑨	Cover	57-0482
⑦	Flexible Shaft	57-0491	⑯	Bezel Assembly	57-0372	③①	Station Selector	415-1009
⑧	Automatic Cable	95-0034	⑰	Push Button Knob	55-0184	③②	Tuning Control Knob	57-0250
⑨	Base and Switch Assembly	415-1012	⑱	Volume Control Knob	77-0232	③③	Scale Assembly	85-0040
			⑲	Screw	W91			

# LINCOLN ZEPHYR CONTROL---MODEL L-1660



## PARTS LIST

No.	Description	Part No.	No.	Description	Part No.	No.	Description	Part No.
⑩	Base and Switch Assembly	415-1012	④⑤	Pilot Lamp Assembly	38-7213	④⑤	Spring	415-1007
⑪	Pilot Lamp Assembly	38-8265	④⑥	Pilot Lamp	34-2039	④⑥	Stop	415-1008
⑫	Station Selector	415-1009	④⑦	Spring Stop	57-0409	④⑦	Shaft — Part of ⑩	
⑬	Tuning Control Knob	77-0250	④⑧	Spring	57-0456	④⑧	Washer	W495FA3
⑭	Scale Assembly	85-0040	④⑨	Shaft	57-0408	④⑨	Spring	28-8719FA3
⑮	Cover Plate	57-0457	④⑩	Friction Spring	28-4160	④⑩	Ammeter Lead	38-1408
⑯	Plate	57-0458	④⑪	Gear	57-0452	④⑪	Pilot Lamp	34-2040
⑰	Screw	W91FA1	④⑫	Spring	415-1005	④⑫	Cover	415-1034
⑱	Cover	57-0492	④	Solenoid	77-0227			



Cables, "A" Lead and Flexible Shaft

## PARTS LIST

No.	Description	Part No.	No.	Description	Part No.	No.	Description	Part No.
①	"A" Lead	41-3387	②	Sleeve	27-8366	②	Housing	28-5608
②	"A" Lead	38-7621	③	Fuse Housing	28-3610	③	Washer	4169
③	Flexible Shaft	57-0491	④	Washer	27-9049	④	Ferrule	27-1133
④	Automatic Cable	95-0034	⑤	Spring	28-8841	⑤	Spring	28-5009
⑤	Volume Control Cable	95-0036	⑥	Ferrule	27-4683	⑥	Washer	27-7132
⑥	Ammeter Lead	38-9408	⑦	Terminal	28-5609	⑦	Housing	28-1272
⑦	Terminal	L-1841	⑧	Fuse	45-2559	⑧	Washer	4169